

FURUNO®

Easy to use handheld control

MARINE VHF RADIOTELEPHONE

with DSC modem and CH70 watch receiver

Model **FM-2721**

- 25 W VHF radiotelephone with control in palm
- Stylish waterproof handset
- Compact blackbox transceiver
- Extensive message storage
- Full control from waterproof handset with large LCD
- Intercom facility
- Optional second antenna for continual watch on CH70 irrespective of VHF operation
- ATIS mode available for inland waterway



The Furuno FM-2721 is a high-performance, 25 W marine VHF radiotelephone with class-D DSC (Digital Selective Calling) facilities and CH70 watchkeeping receiver. The equipment is designed for pleasure craft and small fishing boats operating under "simplified" GMDSS (Global Maritime Distress and Safety System) while the SOLAS Convention ships must be equipped with DSC facilities meeting full GMDSS requirements.

Current distress calling for non-SOLAS ships is made on CH16 by voice. However, watch of CH16 by the coastal stations as well as SOLAS ships will cease on July 1, 2005, totally switching to DSC watch on CH70. The DSC uses a digital signal to send information on MMSI (Maritime Mobile Service Identity), working frequencies, etc. so that a calling is addressed to a designated user or group who has DSC facilities. In an emergency, a distress alert can be initiated by

pressing the dedicated distress button on the handset. The distress alert should be instantly acknowledged by ships equipped with DSC capability as well as coastal stations. DSC also allows users to call specific parties in routine traffic.

The FM-2721 has a built-in watch receiver to keep watching on CH70 while you are receiving or transmitting on another channel (with an additional antenna). The FM-2721 has a 25 W transceiver unit and its control is totally performed on a handset. The transceiver is a blackbox type and can be installed in the cockpit or flybridge. Two handsets provide the intercom facility.

ATIS (Automatic Transmitter Information System) is standard fitted for use on some European inland waterways. It automatically transmits the ID number when a speech is over or every 5 min of speech. The ATIS mode and DSC mode are selectable in menu.



The future today with FURUNO's electronics technology

FURUNO ELECTRIC CO., LTD.

9-52 Ashihara-cho, Nishinomiya City, Japan Telephone: +81 (798) 65 2111
Telefax: +81 (798) 65 4200, 66-4622, 66-4623

Catalogue No. V-029b

TRADE MARK REGISTERED
MARCA REGISTRADA

SPECIFICATIONS OF FM-2721

VHF Transceiver

GENERAL CHARACTERISTICS

- Rules and Regulations** EN 301 025-1, EN 301 025-2, EN 301 025-3
- Class of Emission** G3E (telephone), G2B (DSC)
- Communication System** Simplex/Semi-duplex
- Channels**
All VHF channels according to ITU-R Radio Regulations Appendix S18, All channels in FCC Part 80, Max 20 Private channels where permitted by Administrations (preset by the service agent), 10 weather channels (USA and Canada, receive only).
- Power Supply** 12 V, 6 A max
- Display** 13 characters x 7 lines, character 7 x 5 dots, backlit LCD (dimnable)

TRANSMITTER

- Frequency Range** 155.00 - 161.475 MHz
- RF Output Power** 25 W, reducible to 1 W
US Mode: CH67, CH13 at 1 W, manual override for full power.
CH75, 76 1 W only
- Frequency Stability** 1.5 kHz
- ATIS (Automatic Transmitter Identification System)**
According to EN 300 698-1, an ATIS signal is transmitted every 5 min or at the end of transmission, by modulating the carrier at 1,300 and 2,100 Hz

RECEIVER

- Frequency Range** 155.00 - 166.075 MHz
- Receiving System** Double-conversion superheterodyne
IF: 45.1 MHz and 455 kHz
- AF Output Power** 0.1 W (8 Ω loudspeaker)
1.5 mW (150 Ω handset)
3 W with optional loudspeaker
- Audio Response** De-emphasis of 6 dB/oct +1/-3 dB
- Sensitivity** -3 dBμV at SINAD 20 dB
- Adjacent Channel Selectivity** 70 dB

DSC Modem (Class-D)

- Distress Call and Message**
Distress call is transmitted as five consecutive calls, repeated after a random delay between 3.5 and 4.5 min from the beginning of initial call.
- Message Storage**
Receive: 50 distress messages plus 50 non-distress messages
Transmit: 50 messages plus 50 files containing 50 stations ID, 50 telephone No.
- Interface** Nav data: IEC 61162 (NMEA 0183)
Input: GLL, GGA, ZDA, RMC
Output: TLL
- Alarm** Audible and visual on receipt of distress, urgency or routine calls, Position error
- Receiver Characteristics**
DSC frequency: CH70
Sensitivity: Symbol error rate 10⁻², input -3 dBμV
Watch keeping: Continuous watch on CH70

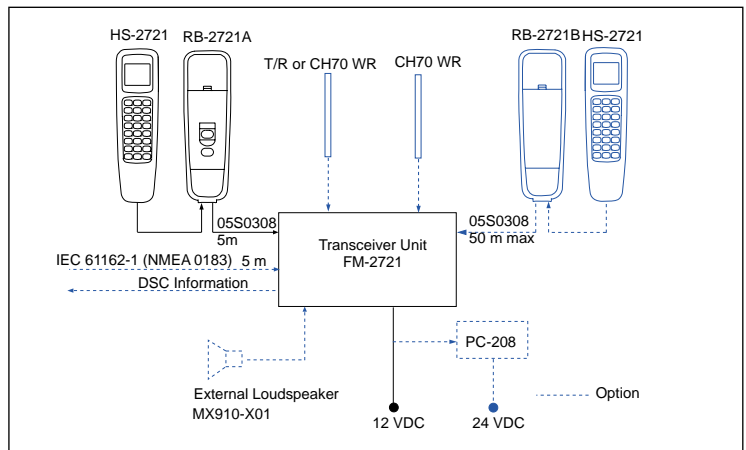
EQUIPMENT LIST

Standard

- | | |
|---------------------------------|--------|
| 1. Transceiver unit FM-2721 | 1 unit |
| 2. Handset HS-2721 | 1 unit |
| 3. Bracket for handset RB-2721A | 1 set |
| 4. Installation materials | 1 set |

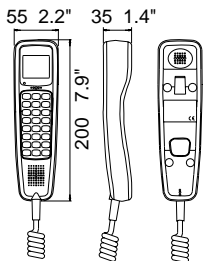
Optional

- Handset HS-2721
- Bracket for handset RB-2721B
- Loudspeaker MX910-X01
- VHF antenna RA-106
- VHF antenna 396-1
- DC converter PC-208 (24-12 V)



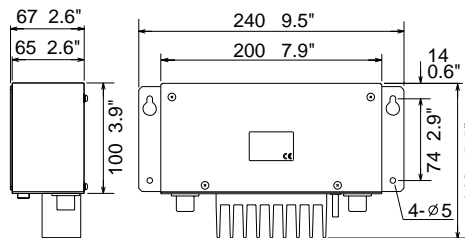
HANDSET HS-2721

Weight: 0.3 kg 0.7 lb



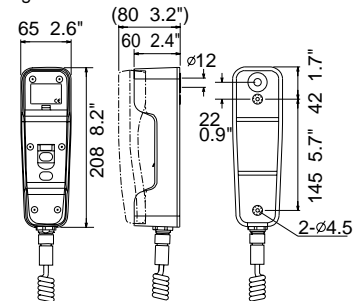
TRANSCEVER UNIT FM-2721

Weight: 2.5 kg 5.5 lb



BRACKET FOR HANDSET RB-2721A

Weight: 0.8 kg 1.8 lb



SPECIFICATIONS SUBJECT TO CHANGE WITHOUT NOTICE

FURUNO U.S.A., INC.
Camas, Washington, U.S.A.
Phone: +1 360-834-9300 Telefax: +1 360-834-9400

FURUNO (UK) LIMITED
Denmead, Hampshire, U.K.
Phone: +44 2392-230303 Telefax: +44 2392-230101

FURUNO FRANCE S.A.
Bordeaux-Mérignac, France
Phone: +33 5 56 13 48 00 Telefax: +33 5 56 13 48 01

FURUNO ESPANA S.A.
Madrid, Spain
Phone: +34 91-725-90-88 Telefax: +34 91-725-98-97

FURUNO DANMARK AS
Hvidovre, Denmark
Phone: +45 36 77 45 00 Telefax: +45 36 77 45 01

FURUNO NORGE A/S
Ålesund, Norway
Phone: +47 70 102950 Telefax: +47 70 127021

FURUNO SVERIGE AB
Västra Frölunda, Sweden
Phone: +46 31-7098940 Telefax: +46 31-497093

FURUNO SUOMI OY
Helsinki, Finland
Phone: +358 9 341 7570 Telefax: +358 9 3417 5716

01025SS Printed in Japan

